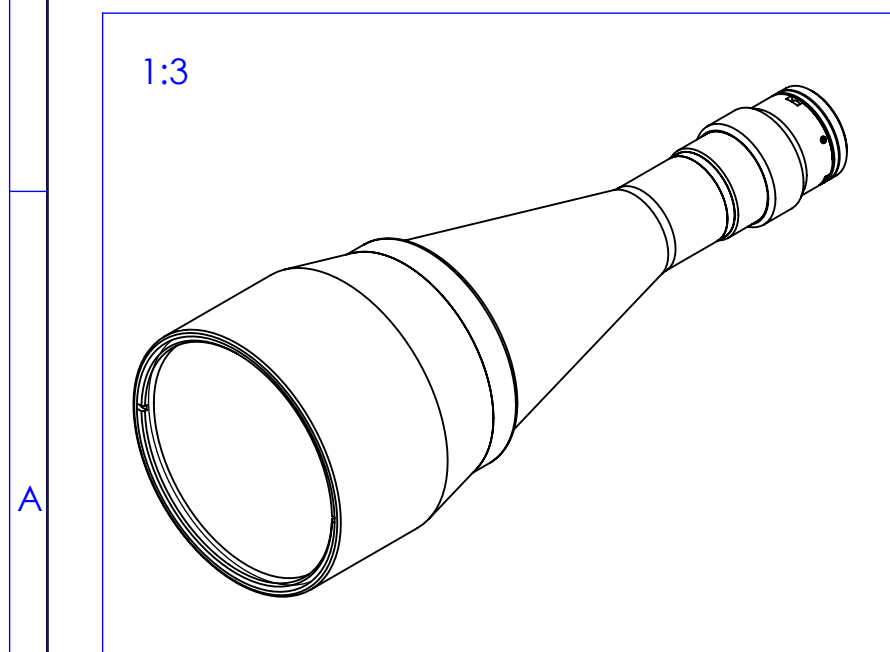
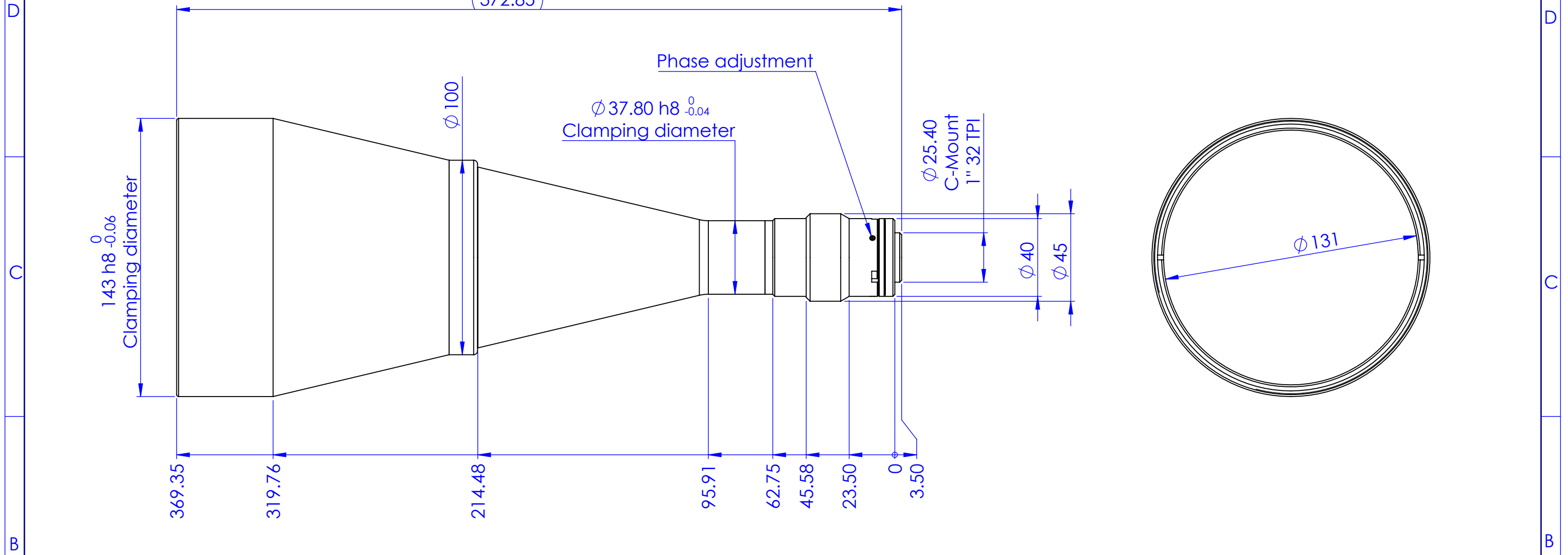


1 2 3 4 5 6 7 8



Material		N.A.		Mass		2350 g		Scale		1:2		
Surface treatment		N.A.		Part No.		CO71405						
Geometrical tolerance (ISO 2768-2)								Class	K	Description		
Linear tolerance (ISO 2768-2)								Class	m	Undimensioned bevels	0.5x45°	
0.5	>3	>6	>30	>120	>400	>1000	>2000	Undimensioned radii	R 0.5	TC2MHR096-C		
±3	±6	±30	±120	±400	±1000	±2000	±4000			Drawing No.		
±0.1	±0.1	±0.2	±0.3	±0.5	±0.8	±1.2	±2			DP 71405-C		
<p>OPTO ENGINEERING S.r.l. - Mantova, Italy - Tel. +39 0376699111 - www.opto-e.com</p>								Date	Name	Sheet		
								Designed	04/04/2014	Vasconetto	1/1	
								Drawn	05/06/2014	Rodella		
								Checked		Secret and confidential - All rights reserved - No copy, dissemination or circulation is allowed unless specifically authorized in writing by OPTO ENGINEERING S.r.l. - Any violation shall be legally prosecuted.		

1 2 3 0 1 2 3 4 5 6 7 8 9 10 6 7 8